

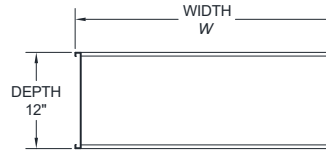


# ACL1200V / ACL1205V

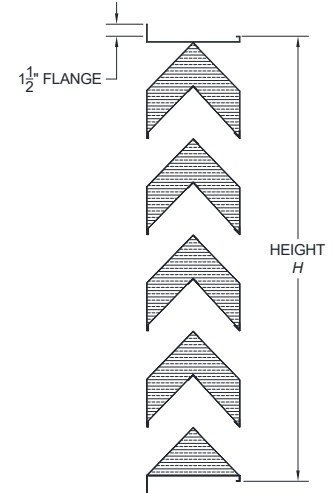
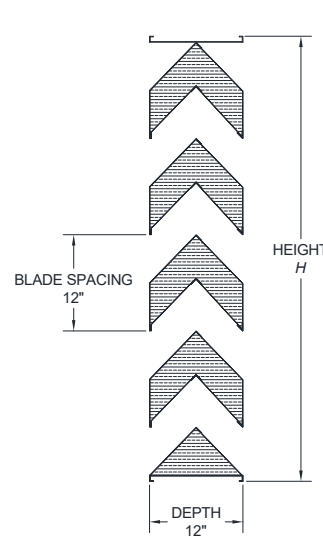
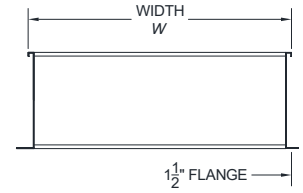
## 12" DEEP ACOUSTIC LOUVER - V BLADE



**MODEL: ACL1200V**  
**FRAME: CHANNEL FRAME**  
**DUCT-MOUNT (DM)**



**MODEL: ACL1205V**  
**FRAME: FLANGE FRAME**  
**FLANGE-MOUNT (FM)**



PERFORMANCE			
LOUVER UNIT SIZE	TOTAL AREA	FREE AREA	FREE AREA
48" x 48"	16 ft <sup>2</sup>	5.41 ft <sup>2</sup>	<b>33.8%</b>
(1219 x 1219 mm)	(1.49 m <sup>2</sup> )	(0.50 m <sup>2</sup> )	
BEGINNING POINT OF WATER PENETRATION AT 0.01 oz./ft <sup>2</sup> FREE AREA:			<b>925 FPM</b>

### STANDARD CONSTRUCTION

<b>DEPTH:</b>	12" (305 mm)
<b>MATERIAL:</b>	ALUMINUM
<b>FRAME:</b>	0.125" (3.18 mm) FORMED ALUMINUM
<b>BLADE EXTERIOR:</b>	0.063" (1.60 mm) FORMED ALUMINUM
<b>BLADE INTERIOR:</b>	0.032" (0.81 mm) PERFORATED ALUMINUM, 3/32" Ø HOLES
<b>INSULATION:</b>	MINERAL WOOL
<b>BLADE ANGLE:</b>	45°
<b>BLADE CENTRES:</b>	12" (305 mm)
<b>BIRDSCREEN:</b>	19 GA. GALVANIZED BIRDSCREEN, 1/2" x 1/2" OPENINGS
<b>FINISH:</b>	MILL

### SIZE LIMITATIONS: SINGLE SECTION LOUVER

	MINIMUM	MAXIMUM
<b>WIDTH</b>	12" (305 mm)	60" (1524 mm)
<b>HEIGHT</b>	24" (610 mm)	72" (1829 mm)
<b>AREA</b>	2 ft <sup>2</sup> (0.19 m <sup>2</sup> )	30 ft <sup>2</sup> (2.79 m <sup>2</sup> )

\*LOUVER WILL BE MANUFACTURED 1/4" (6 mm) SMALLER (SINGLE SECTION) AND 1/2" (13 mm) SMALLER (MULTIPLE SECTION) THAN GIVEN OPENING DIMENSIONS UNLESS OTHERWISE SPECIFIED

### OPTIONS / ACCESSORIES

<b>FINISH:</b>	<b>SCREENS:</b>
<ul style="list-style-type: none"> <li>POWDER COAT FINISH</li> <li>DURANAR FINISH</li> <li>ANODIZED FINISH               <ul style="list-style-type: none"> <li>CLEAR ANODIZED</li> <li>LIGHT BRONZE</li> <li>MEDIUM BRONZE</li> <li>DARK BRONZE</li> <li>BLACK ANODIZED</li> </ul> </li> </ul>	<ul style="list-style-type: none"> <li>BIRDSCREEN               <ul style="list-style-type: none"> <li>1/2" x 1/2" INTER CRIMPED ALUMINUM</li> <li>ALUMINUM BIRDSCREEN WITH FRAME</li> </ul> </li> <li>INSECT SCREEN               <ul style="list-style-type: none"> <li>ALUMINUM, 18 x 14 MESH</li> </ul> </li> </ul>
<b>OTHER:</b>	<b>BLANK-OFF PANELS (ALUMINUM):</b> VARIOUS GAUGES
<ul style="list-style-type: none"> <li>EXTENDED SILLS</li> <li>SECURITY BARS</li> <li>FILTER RACKS</li> <li>STAINLESS STEEL FASTENERS</li> <li>HINGED ACCESS DOORS</li> </ul>	<ul style="list-style-type: none"> <li>NON-INSULATED BLANK-OFF PANELS</li> <li>INSULATED BLANK-OFF PANELS               <ul style="list-style-type: none"> <li>1" (25 mm) INSULATION</li> <li>2" (51 mm) INSULATION</li> </ul> </li> </ul>

### SOUND PERFORMANCE

OCTAVE BAND / FREQUENCY	TRANSMISSION LOSS (dB)	FREE FIELD NOISE REDUCTION (dB)
1 / 63	7	13
2 / 125	7	13
3 / 250	10	16
4 / 500	13	19
5 / 1000	20	26
6 / 2000	21	27
7 / 4000	19	25
8 / 8000	19	25

THIS TEST WAS CONDUCTED IN ACCORDANCE WITH ASTM STANDARD E90-04. \*STANDARD TEST METHOD FOR LABORATORY MEASUREMENT OF AIRBORNE SOUND TRANSMISSION LOSS OF BUILDING PARTITIONS AND ELEMENTS\*.



# ACL1200V / ACL1205V

## 12" DEEP ACOUSTIC LOUVER - V BLADE

### FREE AREA (Sq. Ft.)

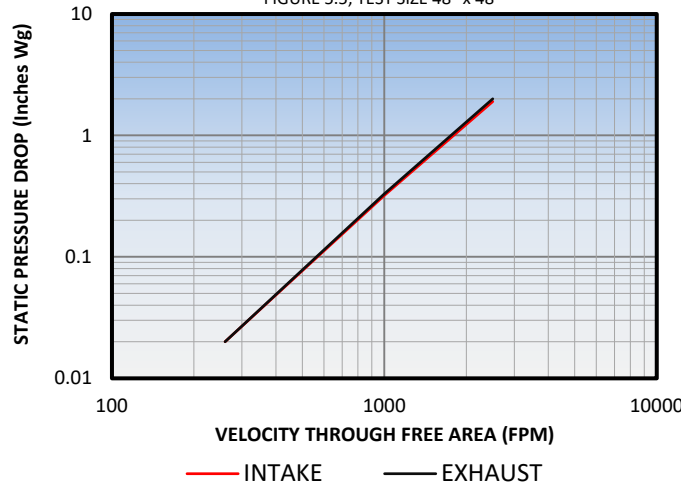
		WIDTH (INCHES)												
		12	16	20	24	28	32	36	40	44	48	52	56	60
HEIGHT (INCHES)	24	0.61	0.84	1.08	1.31	1.54	1.77	2.01	2.24	2.47	2.71	2.94	3.17	3.40
	28	0.61	0.84	1.08	1.31	1.54	1.77	2.01	2.24	2.47	2.71	2.94	3.17	3.40
	32	0.61	0.84	1.08	1.31	1.54	1.77	2.01	2.24	2.47	2.71	2.94	3.17	3.40
	36	0.92	1.27	1.61	1.96	2.31	2.66	3.01	3.36	3.71	4.06	4.41	4.76	5.11
	40	0.92	1.27	1.61	1.96	2.31	2.66	3.01	3.36	3.71	4.06	4.41	4.76	5.11
	44	0.92	1.27	1.61	1.96	2.31	2.66	3.01	3.36	3.71	4.06	4.41	4.76	5.11
	48	1.22	1.69	2.15	2.62	3.08	3.55	4.02	4.48	4.95	5.41	5.88	6.34	6.81
	52	1.22	1.69	2.15	2.62	3.08	3.55	4.02	4.48	4.95	5.41	5.88	6.34	6.81
	56	1.22	1.69	2.15	2.62	3.08	3.55	4.02	4.48	4.95	5.41	5.88	6.34	6.81
	60	1.53	2.11	2.69	3.27	3.86	4.44	5.02	5.60	6.18	6.77	7.35	7.93	8.51
	64	1.53	2.11	2.69	3.27	3.86	4.44	5.02	5.60	6.18	6.77	7.35	7.93	8.51
	68	1.53	2.11	2.69	3.27	3.86	4.44	5.02	5.60	6.18	6.77	7.35	7.93	8.51
	72	1.83	2.53	3.23	3.93	4.63	5.32	6.02	6.72	7.42	8.12	8.82	9.51	10.21

### FREE AREA (%)

		WIDTH (INCHES)												
		12	16	20	24	28	32	36	40	44	48	52	56	60
HEIGHT (INCHES)	24	30.6%	31.6%	32.3%	32.7%	33.0%	33.3%	33.5%	33.6%	33.7%	33.8%	33.9%	34.0%	34.0%
	28	26.2%	27.1%	27.7%	28.1%	28.3%	28.5%	28.7%	28.8%	28.9%	29.0%	29.1%	29.1%	29.2%
	32	22.9%	23.7%	24.2%	24.6%	24.8%	25.0%	25.1%	25.2%	25.3%	25.4%	25.4%	25.5%	25.5%
	36	30.6%	31.6%	32.3%	32.7%	33.0%	33.3%	33.5%	33.6%	33.7%	33.8%	33.9%	34.0%	34.0%
	40	27.5%	28.5%	29.1%	29.5%	29.7%	30.0%	30.1%	30.2%	30.4%	30.4%	30.5%	30.6%	30.6%
	44	25.0%	25.9%	26.4%	26.8%	27.0%	27.2%	27.4%	27.5%	27.6%	27.7%	27.7%	27.8%	27.9%
	48	30.6%	31.6%	32.3%	32.7%	33.0%	33.3%	33.5%	33.6%	33.7%	33.8%	33.9%	34.0%	34.0%
	52	28.2%	29.2%	29.8%	30.2%	30.5%	30.7%	30.9%	31.0%	31.1%	31.2%	31.3%	31.4%	31.4%
	56	26.2%	27.1%	27.7%	28.1%	28.3%	28.5%	28.7%	28.8%	28.9%	29.0%	29.1%	29.1%	29.2%
	60	30.6%	31.6%	32.3%	32.7%	33.0%	33.3%	33.5%	33.6%	33.7%	33.8%	33.9%	34.0%	34.0%
	64	28.6%	29.7%	30.3%	30.7%	31.0%	31.2%	31.4%	31.5%	31.6%	31.7%	31.8%	31.9%	31.9%
	68	27.0%	27.9%	28.5%	28.9%	29.2%	29.4%	29.5%	29.7%	29.8%	29.8%	29.9%	30.0%	30.0%
	72	30.6%	31.6%	32.3%	32.7%	33.0%	33.3%	33.5%	33.6%	33.7%	33.8%	33.9%	34.0%	34.0%

### PRESSURE DROP- ACL1200V / ACL1205V

FIGURE 5.5, TEST SIZE 48" x 48"



\*TEST RESULTS DO NOT INCLUDE THE EFFECTS OF BIRDSCREEN

### RECOMMENDED SPECIFICATION

Furnish and install stationary louver models ACL1200V / ACL1205V as manufactured by Ventex Inc, Alliston, Ontario. Louvers shall be 12" (305 mm) deep. Blades shall be 0.063" (1.60 mm) formed aluminum and frame shall be 0.125" (3.18 mm) formed aluminum. Louvers shall have 19 gauge galvanized 1/2" x 1/2" birdscreen. All materials shall be factory finished after assembly with Polyester Powder Coat in a colour selected from the Ventex Colour Chart.